



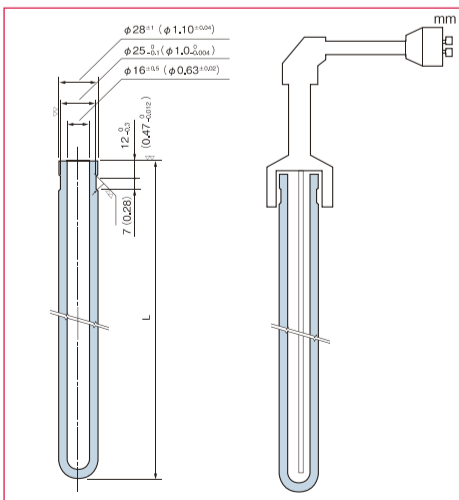
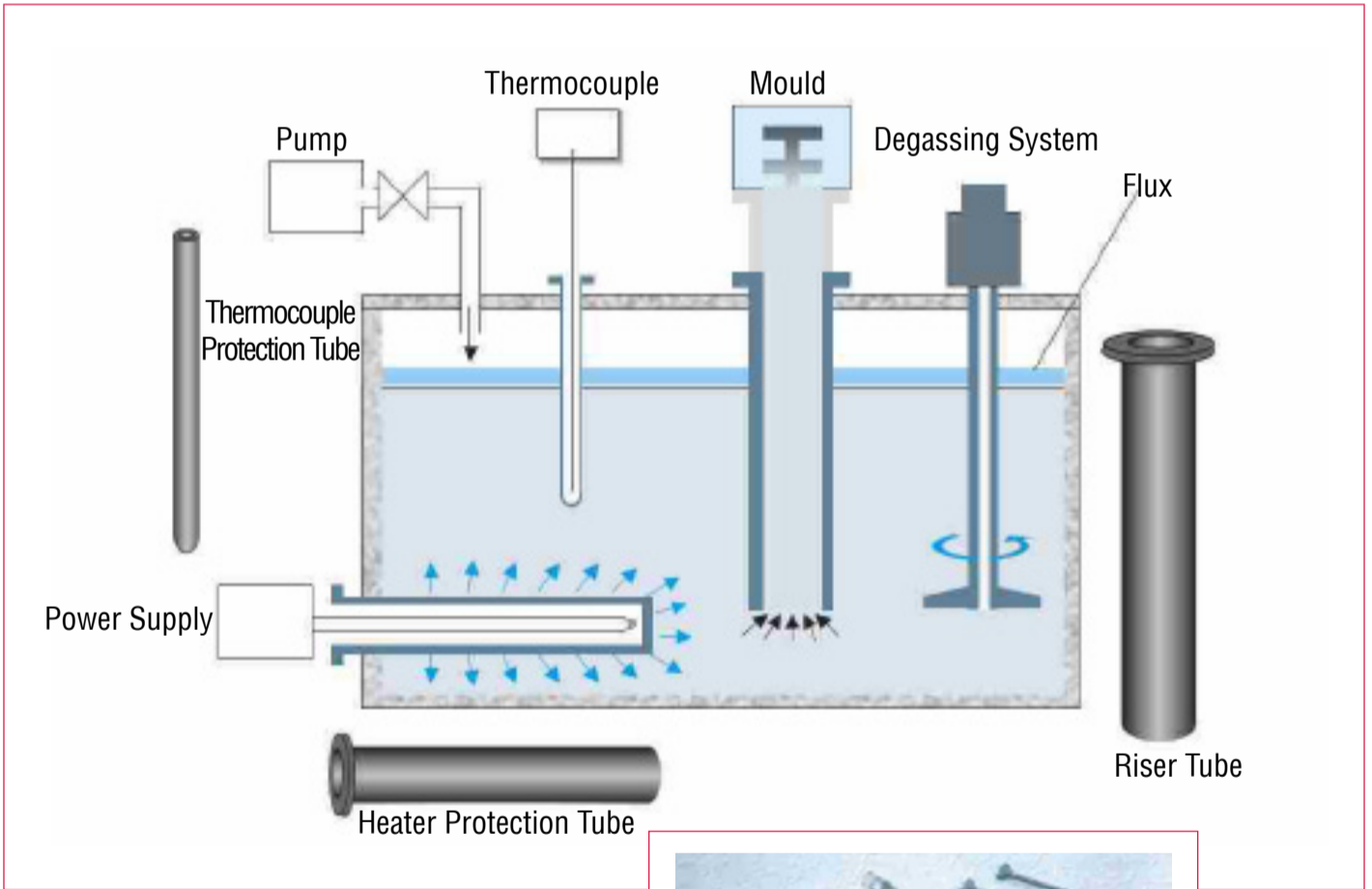
SILICON NITRIDE (Si₃N₄) MATERIALS

SILICON NITRIDE THERMOCOUPLE SHEATHS

Silicon nitride is an advanced technology ceramic material and provides perfect resistance to thermal shock, mechanical impacts, corundum formation and chemical additives.

Moreover, silicon nitride material which has non-wetting properties with melted aluminium ensures long life and accurate measurement until the end of its life, and not to lose the thermal conductivity.

it is used successfully in areas such as melting and holding furnace and low pressure die casting etc.



No.	1	2	3	4	5	6	7
L	400	500	600	700	800	900	1000

FOR MORE TECHNICAL INFORMATION, YOU CAN CONTACT WITH OUR SALES OFFICE.

www.bdbilginoglugokum.com.tr/en

[Twitter](#) [Facebook](#) [Instagram](#) /bilginoglugokum

Izmir Head Office
T +90 232 433 72 30 (pbx)

Istanbul Store / Showroom
T +90 212 612 55 45

Bursa Store / Showroom
T +90 224 443 43 80